

Solderless cap accessory Specification

AS-NMS1217HT0-FL

AS-NMS1217HB0-FL

AS-NMS1217HL0-FL

AS-NMS1217HR0-FL

AS-NMS1217TX0-FL

AS-NMS1217MX0-FL

AS-NMS1217MH0-FL

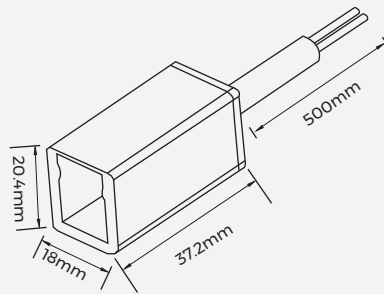


【Features】

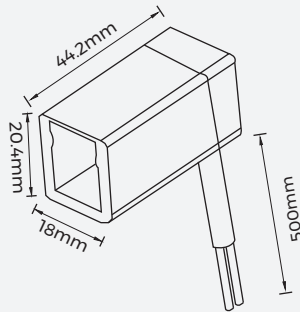
- Material: aluminum+PC;
- Operating environment: indoor;
- Protection class: IP65;
- Warranty: 3 years.

【Mechanical Parameter】

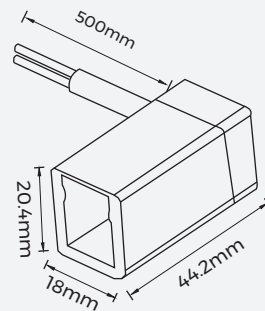
AS-NMS1217HT0-FL



AS-NMS1217HB0-FL

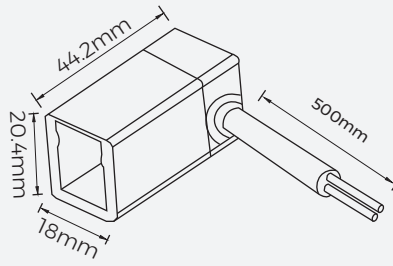


AS-NMS1217HL0-FL

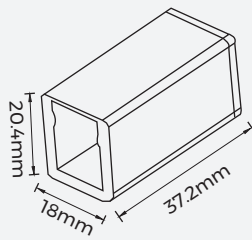


【Mechanical Parameter】

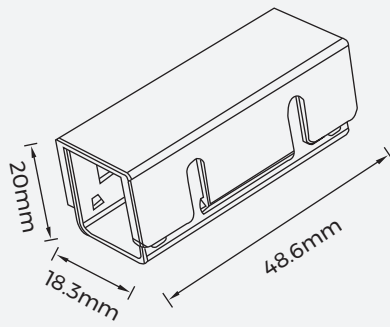
AS-NMS1217HR0-FL



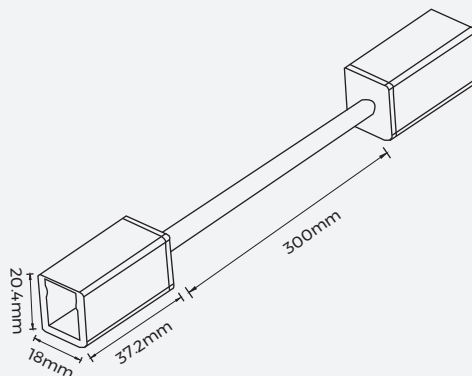
AS-NMS1217TX0-FL










AS-NMS1217MX0-FL



AS-NMS1217MH0-FL



【Specification Information】

Describe	Accessories Picture	Order model	Quantity/ case (PCS)	Net weight (kg)	Per box net weight (kg)	Gross weight (kg)	Packages (mm)	Range of applications
Quick connector (out let from the top direction)		AS-NMS1217HT0-FL	48	0.048	2.3	4.115	365*365*190	suit to:AFS1217 /AHS1217/NMS1217 white light and color light Outlet 500mm/IP65
Quick connector (out let from the bottom direction)		AS-NMS1217HB0-FL	48	0.048	2.3	4.115	365*365*190	suit to:AFS1217 /AHS1217/NMS1217 white light and color light Outlet 500mm/IP65
Quick connector (out let from the left direction)		AS-NMS1217HL0-FL	48	0.048	2.3	4.115	365*365*190	suit to:AFS1217 /AHS1217/NMS1217 white light and color light Outlet 500mm/IP65
Quick connector (out let from the right direction)		AS-NMS1217HR0-FL	48	0.048	2.3	4.115	365*365*190	suit to:AFS1217 /AHS1217/NMS1217 white light and color light Outlet 500mm/IP65
Quick connector(plug)		AS-NMS1217TX0-FL	48	0.035	1.68	3.495	365*365*190	suit to:AFS1217 /AHS1217/NMS1217 white light and color light IP65
Quick connector (without wire)		AS-NMS1217MX0-FL	96	0.028	2.688	2.96	365*365*190	suit to:AFS1217 /AHS1217/NMS1217 white light and color light IP65
Quick connector (with wire)		AS-NMS1217MH0-FL	48	0.058	2.784	3.062	365*365*190	suit to:AFS1217 /AHS1217/NMS1217 white light and color light The middle wire is 300mm long/IP65

【Precautions】

- Please use this product in dry environment.
- Before installation, pay attention to negative and positive poles of LED strip to avoid short circuit or product damage.
- Use professional tools as per requirements to press down metal head of connector to avoid hurt or fingers or product damage.